



SUREFIRE NO-HASSLE GUARANTEE

We'll do what it takes to keep your SureFire gear running smoothly. SureFire warrants that if you — our customer — purchase one of our products, and we determine that it is defective in material and/or workmanship during your lifetime, we will repair or replace it — no hassle!

Our warranty does not cover consumables or normal wear-and-tear — things like batteries draining, headbands and headpads wearing out, ink cartridges running out, and switches wearing out — or damage resulting from abuse, alterations, unauthorized repairs, or use contrary to SureFire's user manuals.

Should you need a replacement product, Surefire reserves the right to replace an obsolete product with a current production, like model. In the event that any issue with a SureFire product is not covered under this warranty SureFire can arrange to have the product repaired for a reasonable fee.

STANDARD DISCLAIMER

Except as specified above or prohibited by applicable law: all express or implied conditions and warranties, including, without limitation, any implied warranty or condition of merchantability or fitness for a particular purpose, or accuracy of any informational content, are hereby excluded and disclaimed by SureFire; and in no event will SureFire be liable for any special, direct, indirect, consequential, incidental or punitive damages howsoever arising and regardless of the theory of liability, even if advised of the possibility of such damages. Products, prices, availability, specifications, and offers are subject to change or cancellation at any time without notice.

WARRANTY CLAIMS

For claims, contact Customer Service at 714-545-9444 to obtain a Return Merchandise Authorization number (RMA#). Then package the unit carefully and send to (no CODs):

SureFire, LLC.
Repairs Department, RMA# _____
17680 Newhope, Suite B
Fountain Valley, CA 92708

SureFire will pay any reasonable shipping costs to return the unit to you.

Revision D 2-2018
71-01-1010

AVIATOR-AM AVIATOR-BL
AVIATOR-RD AVIATOR-YG



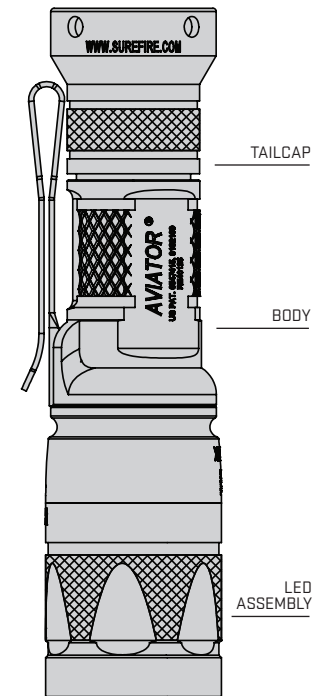
18300 MT. BALDY CIRCLE
FOUNTAIN VALLEY, CA 92708-6122
SUREFIRE.COM



Patents: RE40125, 8,182,109

AVIATOR® DUAL-OUTPUT / MULTI-SPECTRUM LED FLASHLIGHT

AVIATOR-AM
AVIATOR-BL
AVIATOR-RD
AVIATOR-YG



USER MANUAL

AVIATOR®

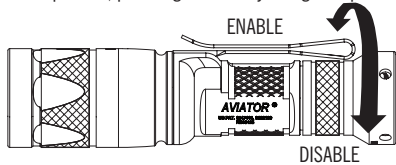
INTRODUCTION

The ultra-compact, dual-output, multi-spectrum Aviator allows selection between white light and one of four different model options of colored illumination. The white and colored light is generated by a single all-LED head, with no filter required. A self-locking bezel selector ring sets the spectrum, white light or colored. Activation is achieved by pressing or click the tailcap switch. The Aviator runs on a single 123A lithium battery and is constructed of aerospace aluminum that's Mil-Spec hard anodized for extreme durability.

LOCKOUT TAILCAP

The Aviator features a lockout tailcap, which prevents accidental activation during storage or transport. The tailcap may need to be enabled prior to light operation.

To enable, rotate tailcap clockwise until light activates when tailcap pushbutton is pressed, providing momentary-on light output.



To lock out tailcap, rotate counterclockwise until light will not activate when pushbutton is depressed.

LIGHT OPERATION

NOTE: Unit is shipped in the "OFF" position to prevent activation of the light.

- To select white (WH) light LED, rotate knurled portion of the bezel clockwise (with bezel pointed away from you) until indicator dot aligns with WH and the head clicks in to position (Fig. 1).
- To select colored LED, rotate knurled portion of the bezel counter clockwise (with bezel pointed away from you) until indicator dot aligns with the color engraving and the head clicks in to position (Fig. 2).

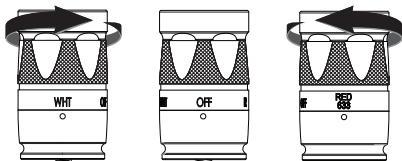


FIGURE 1

FIGURE 2

Light Activation

Press or click pushbutton tailcap switch once for low output. Return to off and press or click on again, within two seconds, for high output.

BATTERY REPLACEMENT

⚠ WARNING

Use of substandard batteries can cause injury or property damage. Visit www.surefire.com/batterysafety.

Most SureFire illumination tools ship preloaded with batteries. To load or replace batteries:



- Unscrew head and remove.
- Remove old batteries and dispose of properly.
- Insert new battery with positive (+) terminals oriented forward.
- Replace head and screw on until hand tight.

⚠ BATTERY INFORMATION & WARNING

Before replacing batteries, read the enclosed BATTERY INFORMATION/WARNING insert in your original packaging. For additional battery safety, handling, and product information, visit www.surefire.com/batteries.

MAINTENANCE

Use a clean, dry cloth to wipe off body and window. Periodically clean and lubricate threads. Apply a thin coat of non-migrating, silicon-based lubricant to O-rings (do not use petroleum-based lubricants which can harm O-rings). For additional tips on maintaining your SureFire illumination tool, visit www.surefire.com/faqs-maintenance.

ACCESSORIES

SureFire makes a full line of accessories for most of its illumination tools. For a complete listing, visit www.surefire.com/parts-accessories

AVIATOR SPECIFICATIONS

LED COLOR	OUTPUT (lumens)	RUNTIME (hours)
WHITE	High: 250 Low: 5	High: 1.5 Low: 20.5
AMBER (590 nm)	High: 20 (50 mW) Low: 5 (10 mW)	High: 2.75 Low: 29
BLUE (450 nm)	High: 4 (110 mW) Low: .4 (10 mW)	High: 12 Low: 49
RED (635 nm)	High: 39 (240 mW) Low: 1 (1.3 mW)	High: 3 Low: 57
YELLOW/GREEN (568 nm)	High: 39 (85 mW) Low: 3 (7 mW)	High: 12 Low: 58
PEAK BEAM INTENSITY	9,300 candela (white LED only)	
DISTANCE	138 meters (white LED only)	
CONSTRUCTION	Aluminum	
FINISH	Mil-Spec Hard Anodized	
WEIGHT (w/batteries)	3.1 oz (88 g)	
LENGTH	4.18 in (10.6 cm)	
BEZEL DIAMETER	1.06 in (2.7 cm)	
BATTERIES	One 123A lithium (incl.)	
SWITCHING	Click tailcap	

All performance claims tested to ANSI/NEMA FL1-2009 Standard.